



PK381 RPK全金屬電動彈鼓(2000發)

RPK 2000rds Full Metal Electric Winding Drum Magazine

FULL METAL



PK403 LCK-16電動彈鼓(2000發)

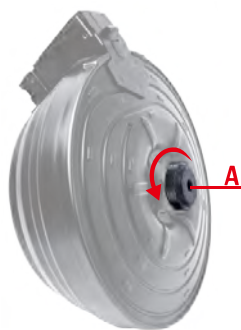
LCK-16 2000rds Electric Winding Drum Magazine



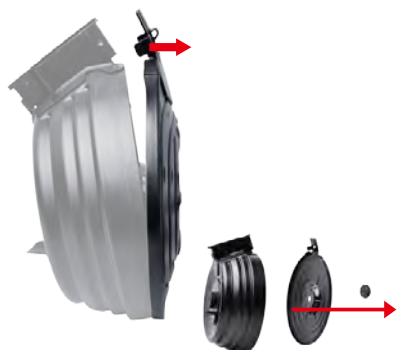
除AS VAL / MRK VAL / LGM VAL / VSS / SR-3 / SR-3M / PP-19-01 / ZP-19-01 / TK-PDW-9MM / ZK-PDW-9MM / LPPK-20 / PP-19 / PKP / RPD 不適用外，其他槍款皆適用；非LCT產品無法確認是否適用。

For LCT various designs LCK except AS VAL / MRK VAL / LGM VAL / VSS / SR-3 / SR-3M / PP-19-01 / ZP-19-01 / TK-PDW-9MM / ZK-PDW-9MM / LPPK-20 / PP-19 / PKP / RPD ;if it non-LCT products , we can't sure compatible or not

P202309



1.將A順著紅箭頭方向打開。
To open the A part with following the red arrows direction.



2.彈鼓蓋依紅箭頭方向打開。
Separate the drum magazine's cover with following the red arrow's direction.



3.彈鼓內部電池盒採用3顆3號電池供電。
The internal battery holder of this drum magazine is powered by three AA batteries.



4.將電池盒置入黃框處。
Place the battery holder in the yellow circle mark.



5.將彈鼓蓋依紅箭頭方向組合，再將A順著箭頭方向鎖緊。
Assemble the drum magazine's cover and lock the A part with following the red arrows direction.